

6

5

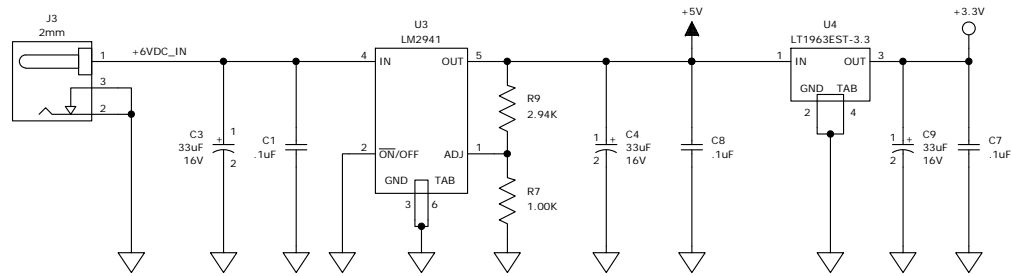
4

3

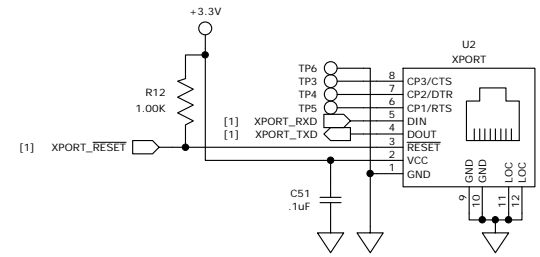
2

1

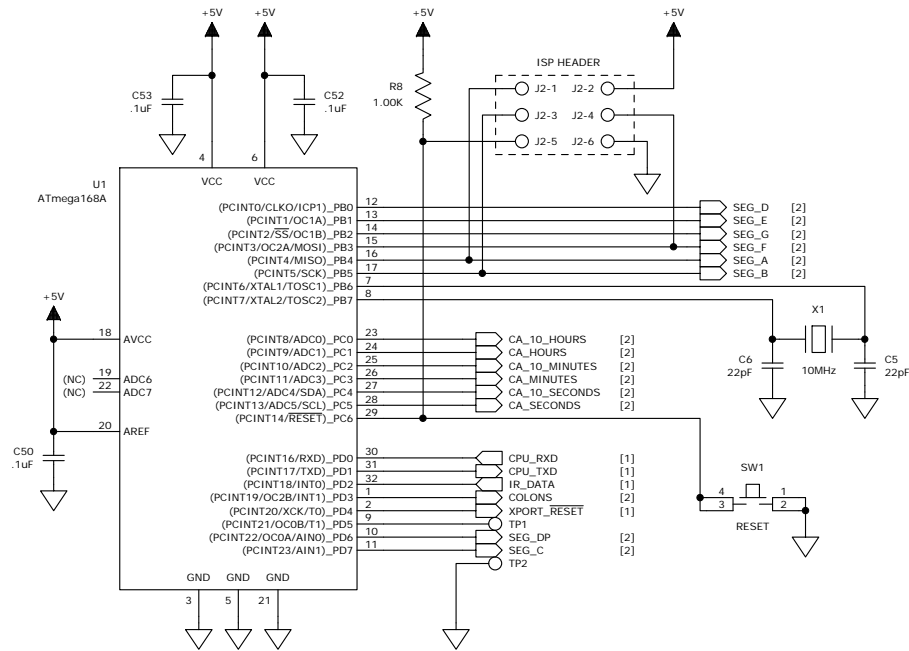
POWER ENTRY & REGULATION



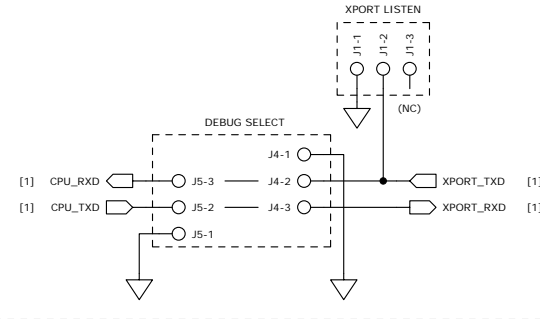
XPORT



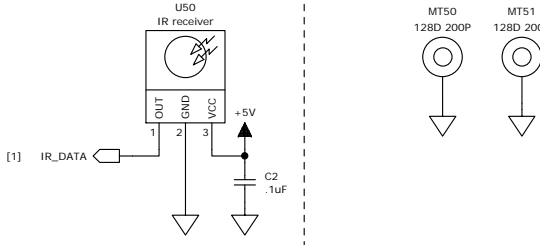
CPU



SERIAL DEBUG SELECT



IR RECEIVER



TITLE:		REV:
Sntp CLOCK		01
DRAWN:	DATED:	SHEET: 1 of 2
D. MATSUNAGA	22-MAY-11	

6

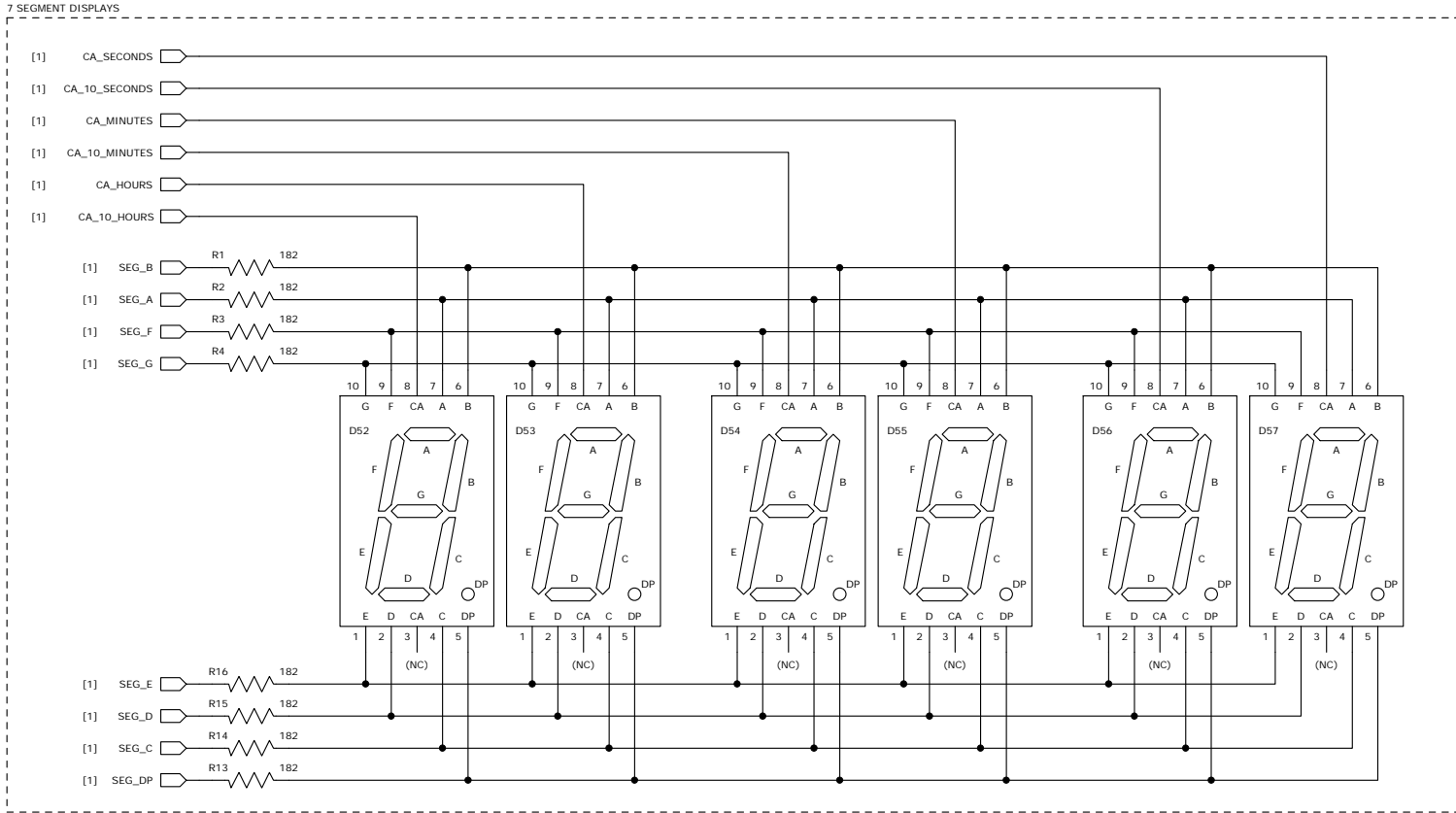
5

4

3

2

1



TITLE: <b>Sntp Clock</b>		REV: <b>01</b>
DRAWN: <b>D. MATSUNAGA</b>	DATED: <b>22-MAY-11</b>	SHEET: <b>2 OF 2</b>

### SNTP Clock rev 01 BOM

QTY	Reference	Description	Value	Manufacturer	Part Number
8	C1-2 C7-8 C50-53	CAP, CER, 50V, 10%, X7R, 0603	.1uF	Murata	GRM188R71H104KA93D
3	C3-4 C9	CAP, TANT, 16V, 10%, SMD, 2917	33uF	AVX	TAJD336K016RNJ
2	C5-6	CAP, CER, 50V, 5%, C0G, 0603	22pF	Murata	GRM1885C1H220JA01D
4	D50-51 D58-59	LED, T-1, TH	T-1 (red)	Kingbright	WP424SRDT
6	D52-57	LED, DISPLAY, 7 SEG, 1", CA	7 segment (red)	Kingbright	SA10-21SRWA
3	J1 J4-5	CON, 3PIN, 1x3, 0.1, BERG, TH	1x3	Berg	68000-103HLF
1	J2	CON, 6PIN, 2x3, 0.1, BERG, TH	2x3	Berg	67997-206HLF
1	J3	JACK, SMD, 2MM, RA, COAX DC	2mm	CUI	PJ-036AH-SMT
12	R1-6 R10-11 R13-16	RES, 1/10W, 1%, 0603	182	Panasonic	ERJ-3EKF1820V
3	R7-8 R12	RES, 1/10W, 1%, 0603	1.00K	Panasonic	ERJ-3EKF1001V
1	R9	RES, 1/10W, 1%, 0603	2.94K	Panasonic	ERJ-3EKF2941V
1	SW1	SWITCH, PUSHBUTTON, SPST, NO, TH	SPST-NO	Panasonic	EVQ-PAC05R
1	U1	IC, uC, AVR, ATMEGA168A, TQFP32	ATmega168A	Atmel	ATMEGA168A-AU
1	U2	CON, XPORT	Xport	Lantronix	XP1001001-03
1	U3	IC, VREG, LDO, 1A, ADJ, TO-220-5	LM2941T	National	LM2941T
1	U4	IC, VREG, LDO, 1.5A, 3.3V, SOT-223	LT1963EST-3.3	LT	LT1963EST-3.3
1	U50	IC, IR RECEIVER, TH	IR receiver	Radio Shack	276-640
1	X1	XTAL, SMD, HC-49S	10MHz	TXC	9C-10.000MEEJ-T